



With two separate flows and a directly mounted By-Pass valve, the Sunfab's SCPD 56/26 By-Pass DIN is the most flexible compact fixed flow pump on the market.

SCPD 56/26 DIN By-Pass is ideal for combination vehicles which require different flows and where there is a need to operate equipment while moving. The pump is primarily intended for engine-mounted power take-offs.

The constant engagement is made possible by the By-Pass valve, which immediately relieves the load on the pump and power take-off when oil is not required. The pressure drop of the By-Pass valve is very low, so its function is energy efficient.

Other advantages:

- The By-Pass valve can relieve the load from full operating pressure of 5800 psi, which allows emergency stop function
- The valve's 24 V solenoids have integrated electrical cables which meet protection class ADR

Versions, main data

Example

SC	PD	-	56/26	L	-	V	-	DL4	-	L35	-	S0	S	-	2	00
Line	1		2	3		4		5		6		7	8		9	10

Line	SC	Sunfab Compact
------	----	----------------

1. Type	PD	Dual flow pump
---------	----	----------------

2. Displacement	56/26
-----------------	-------

3. Direction of rotation	L	Left
	R	Right

4. Sealing	V	FPM
------------	---	-----

5. Mounting flange	DL4	DIN 4-h (ISO 76530)
--------------------	-----	---------------------

6. Shaft	L35	DIN 5462/ISO14
----------	-----	----------------

X = Standard, preferred
 (X) = Available, option
 O = Contact Sunfab

7. Connection cover	S0	Sunfab standard
---------------------	----	-----------------

8. Connections	S	Sunfab standard
----------------	---	-----------------

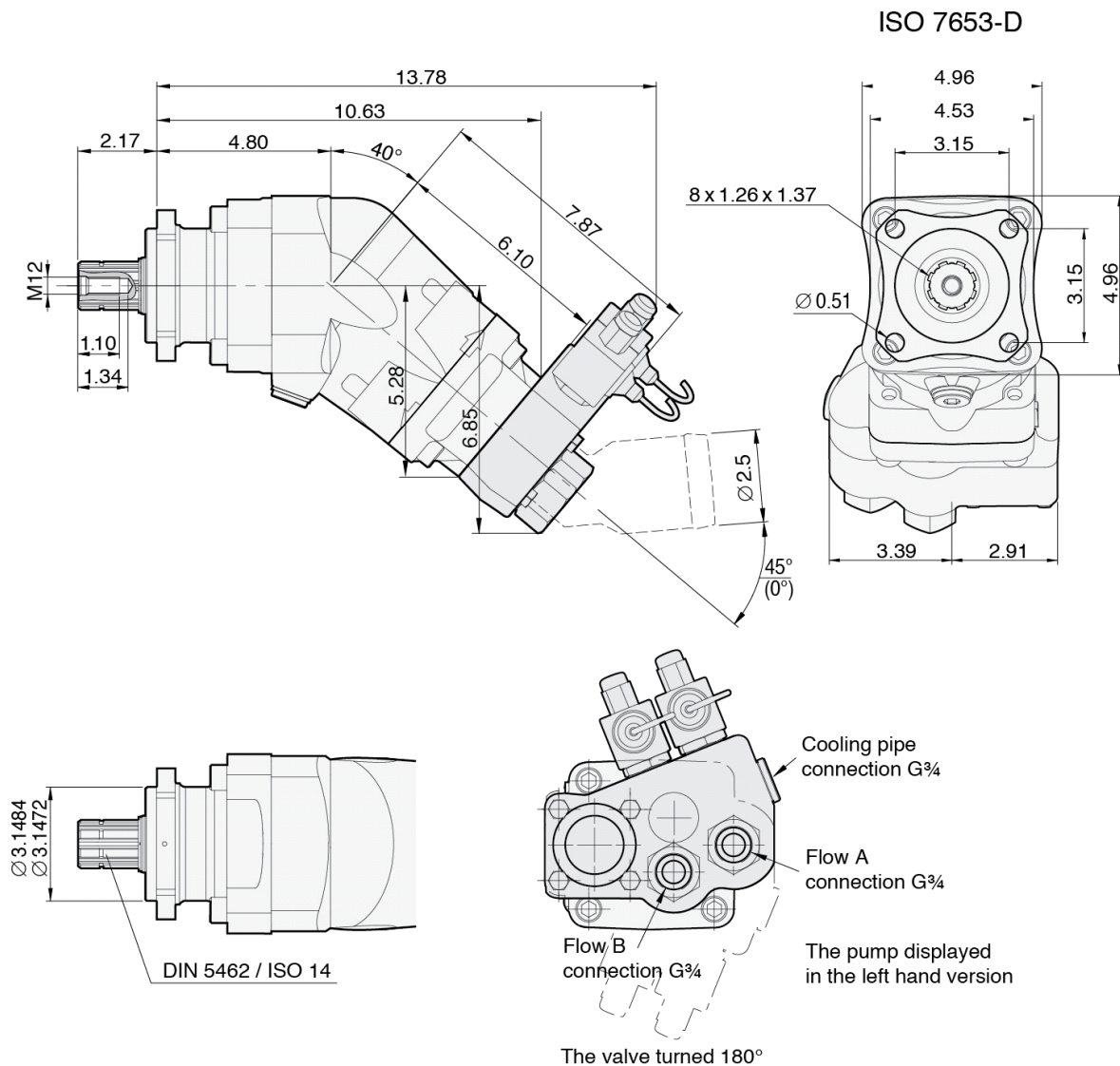
9. Additional	2	Optimized
---------------	---	-----------

10. Accessories	00	No accessories available
-----------------	----	--------------------------

Double by-pass valve Art. no 20536 is ordered seperately.

Pump SCPD 56/26 DIN By-Pass

Theoretical oil flow A+B at pump speed	rpm	GPM		
	600	8.85 + 4.09 = 12.9		
	1000	14.8 + 6.87 = 21.7		
	1200	17.7 + 8.19 = 25.9		
	1500	22.2 + 10.3 = 32.5		
	1800	26.5 + 12.3 = 38.8		
Displacement A+B	cu in/rev	3.42 + 1.59		
Max pump speed A+B	rpm	1850		
Max pump speed A	rpm	1850		
Max pump speed B	rpm	2200		
Max pump speed, relieved	rpm	2700		
Max working pressure	psi	5800		
Weight without valve	lb	39.7		
Weight with valve	lb	49.6		
Tare-weight torque without valve	lb-ft	21		
Tare-weight torque with valve	lb-ft	18.7		
Nominal power at pressure and pump speed	rpm	2900 psi	4350 psi	5800 psi
	600	15.0 + 7.0 = 22.0 hp	22.5 + 10.5 = 33.0 hp	30.0 + 14.0 = 44.0 hp
	1200	30.0 + 14.0 = 44.0 hp	45.0 + 21.0 = 66.0 hp	60.0 + 28.0 = 88.0 hp
	1800	45.0 + 21.0 = 66.0 hp	67.5 + 31.5 = 99.0 hp	90.0 + 42.0 = 132 hp
Nominal torque on pump shaft at different pressures		2900 psi	4350 psi	5800 psi
		131 + 61.2 = 192 lb-ft	197 + 91.5 = 288 lb-ft	263 + 122 = 384 lb-ft
Direction of rotation	Left (L) or Right (R)			





WARNING

When the pump is running:

1. Do not touch the pressure hose
2. Watch out for rotating parts
3. The pump and hoses may be hot

*Sunfab reserves the right to make changes in design and dimensions without notice. Printing and typesetting errors reserved.
© Copyright 2015 Sunfab Hydraulics AB. All Rights Reserved.*