

SCPD 56/26 DIN is a double pump with two separate flows of different sizes.

SCPD 56/26 DIN gives 3.42 and 1.59 cu in/rev and supports a maximum working pressure of 5800 psi. It can effectively be directly mounted on gear boxes equipped with engageable and disengageable power take-offs. It is speed optimised and therefore supplied for either left (L) or right (R) rotation direction.

Other advantages:

- High self-priming speed
- Constant low noise level
- Long life due to high demands on material selection, such as bearings, seals, etc.
- O-rings on all contact surfaces as well as double shaft seals

Versions, main data

Example

SC	PD	-	56/26	L	-	V	-	DL4	-	L35	-	S0	S	-	2	00
Line	1		2	3		4		5		6		7	8		9	10

Line	
SC	Sunfab Compact

1. Type	
PD	Dual flow pump

2. Displacement	
	56/26

3. Direction of rotation	
L	Left
R	Right

4. Sealing	
V	FPM

5. Mounting flange	
DL4	DIN 4-h (ISO 76530)

6. Shaft	
L35	DIN 5462/ISO14

7. Connection cover	
S0	Sunfab standard

8. Connections	
S	Sunfab standard

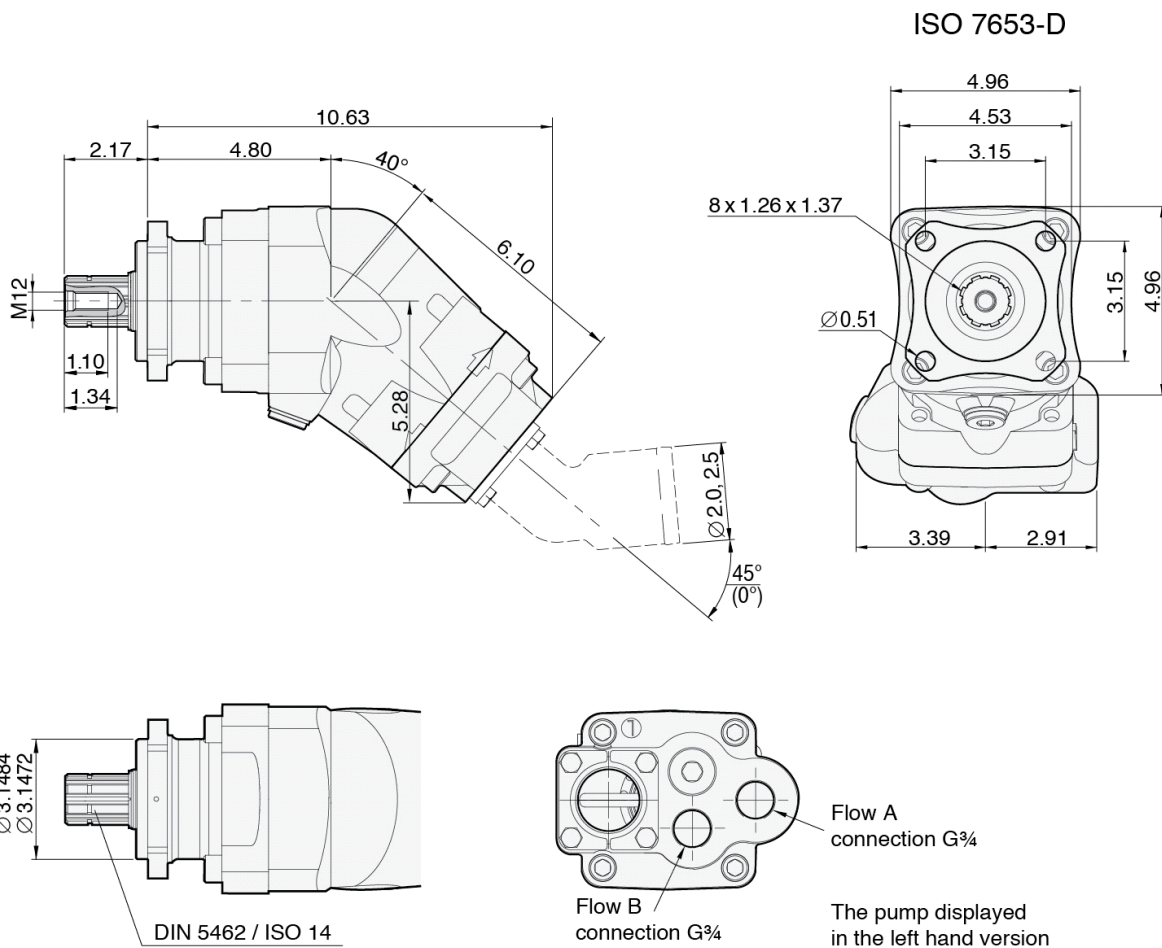
9. Additional	
2	Optimized

10. Accessories	
00	No accessories available

X = Standard, preferred
(X) = Available, option
O = Contact Sunfab

Pump SCPD 56/26 DIN

Theoretical oil flow A+B at pump speed	rpm	GPM		
	600	8.85 + 4.09 = 12.9		
	1000	14.8 + 6.87 = 21.7		
	1200	17.7 + 8.19 = 25.9		
	1500	22.2 + 10.3 = 32.5		
	1800	26.5 + 12.3 = 38.8		
Displacement A+B	cu in/rev	3.42 + 1.59		
Max pump speed	rpm	1850		
Max working pressure	psi	5800		
Weight	lb	39.7		
Tare-weight torque without valve	lb-ft	15.5		
Nominal power at pressure and pump speed	rpm	2900 psi	4350 psi	5800 psi
	600	15.0 + 7.0 = 22.0 hp	22.5 + 10.5 = 33.0 hp	30.0 + 14.0 = 44.0 hp
	1200	30.0 + 14.0 = 44.0 hp	45.0 + 21.0 = 66.0 hp	60.0 + 28.0 = 88.0 hp
	1800	45.0 + 21.0 = 66.0 hp	67.5 + 31.5 = 99.0 hp	90.0 + 42.0 = 132 hp
Nominal torque on pump shaft at different pressures		2900 psi	4350 psi	5800 psi
		131 + 61.2 = 192 lb-ft	197 + 91.5 = 288 lb-ft	263 + 122 = 384 lb-ft
	Direction of rotation	Left (L) or Right (R)		





WARNING

When the pump is running:

1. Do not touch the pressure hose
2. Watch out for rotating parts
3. The pump and hoses may be hot

*Sunfab reserves the right to make changes in design and dimensions without notice. Printing and typesetting errors reserved.
© Copyright 2015 Sunfab Hydraulics AB. All Rights Reserved.*