

SCP 012-108 SAE is a series of piston pumps with a fixed displacement for demanding mobile hydraulics.

Sunfab SCP 012-108 SAE pumps are equipped with shafts and flanges according to the SAE-B and SAE-C standard. They are available in the range from 0.77 - 6.59 cu in/rev. It is a modern, compact pump which meets the market's high demands on flow performance, pressure, efficiency and small installation dimensions.

The pump is either mounted directly on the power take-off or on a frame bracket via an intermediate shaft. The stop shoulder on the angular housing allows the pump's direction of rotation to be changed without the risk of altering the gear meshing.

Other advantages:

- High maximum speed while maintaining low noise levels
- Smooth operation over the entire speed range
- Long life due to high demands on material selection, such as bearings, seals, etc
- O-rings on all contact surfaces as well as double shaft seals eliminate oil leakage from the pump and power take-off
- Complete inventory and service in the US

Versions, main data

Example

SC	P	-	084	L	-	N	-	SC4	-	C14	-	S0	S	-	0	00
Line	1		2	3		4		5		6		7	8		9	10

Line	SC	Sunfab Compact
------	----	----------------

7. Connection cover	S0	40° Sunfab standard
---------------------	----	---------------------

1. Type	P	Pump
---------	---	------

8. Connections	S	Sunfab standard
----------------	---	-----------------

2. Displacement	012	017	025	034	040	047	056	064	084	090	108
-----------------	-----	-----	-----	-----	-----	-----	-----	-----	-----	-----	-----

9. Additional	0	-
---------------	---	---

3. Direction of rotation	R	Right
	L	Left

10. Accessories	00	No accessories available
-----------------	----	--------------------------

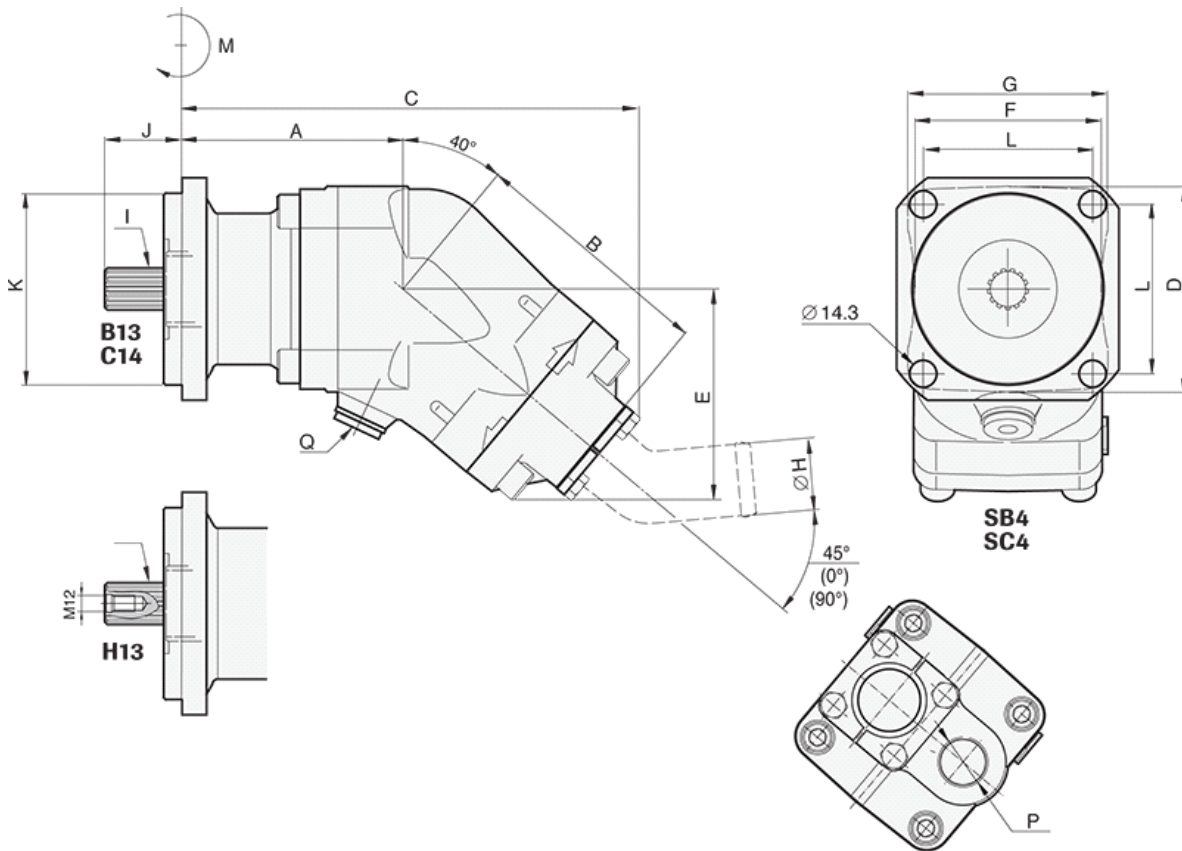
4. Sealing	N	Nitrile
------------	---	---------

5. Mounting flange		012	017	025	034	040	047	056	064	084	090	108
SB4	SAE B4	X	X	X	X	X	X	X	X	-	-	-
SC4	SAE C4	-	-	-	-	X	X	X	X	X	-	X

6. Shaft		012	017	025	034	040	047	056	064	084	090	108
B13	SAE B 13t	-	-	X	X	X	X	X	X	-	-	-
H13	SAE B 13t	X	X	X	X	X	X	X	X	-	-	-
C14	SAE C 14t	-	-	-	-	X	X	X	X	X	-	X

Pump SCP 012-108 SAE		012	017	025	034	040	047	056	064	040	047	056	064	084	108		
Theoretical oil flow at pump speed	rpm	500	1.66	2.24	3.35	4.52	5.44	6.21	7.40	8.40	5.44	6.21	7.40	8.40	11.0	14.3	
		1000	3.33	4.49	6.71	9.03	10.9	12.4	14.8	16.8	10.9	12.4	14.8	16.8	22.1	28.5	
		1500	4.99	6.74	10.1	13.5	16.3	18.6	22.2	25.2	16.3	18.6	22.2	25.2	33.1	42.8	
Displacement	cu in/rev	0.77	1.04	1.55	2.09	2.51	2.87	3.42	3.88	2.51	2.87	3.42	3.88	5.10	6.59		
Max pump speed continuous	rpm	2300	2300	2300	2300	1900	1900	1900	1900	1900	1900	1900	1900	1900	1500	1500	
		3000	3000	3000	3000	2500	2500	2500	2500	2500	2500	2500	2500	2500	2000	2000	
Max working pressure	psi	5800	5800	5800	5800	5800	5800	5800	5075	5800	5800	5800	5800	5800	5800		
Weight	lb	19.2	19.0	19.6	19.4	27.1	27.1	27.1	26.9	31.5	31.5	31.5	31.1	41.9	41.9		
Dimensions	in	A	3.98	3.98	3.98	3.98	4.61	4.61	4.61	4.61	4.69	4.69	4.69	4.69	5.04	5.04	
		B	4.61	4.61	4.61	4.61	5.12	5.12	5.12	5.12	5.12	5.12	5.12	5.12	5.79	5.79	
		C	8.23	8.23	8.23	8.23	9.25	9.25	9.25	9.25	9.33	9.33	9.33	9.33	10.3	10.3	
		D	3.90	3.90	3.90	3.90	4.29	4.29	4.29	4.29	4.29	4.29	4.29	4.29	4.96	4.96	
		E	3.82	3.82	3.82	3.82	4.41	4.41	4.41	4.41	4.41	4.41	4.41	4.41	4.96	4.96	
		F	3.50	3.50	3.50	3.50	3.90	3.90	3.90	3.90	3.90	3.90	3.90	3.90	4.53	4.53	
		G	3.82	3.82	3.82	3.82	4.17	4.17	4.17	4.17	4.17	4.17	4.17	4.17	4.84	4.84	
		H	1.5	1.5	1.5	1.5	1.5	1.5	1.5	1.5	1.5	1.5	1.5	1.5	2.0	2.0	
		I	2.0	2.0	2.0	2.0	2.0	2.0	2.0	2.0	2.0	2.0	2.0	2.0	2.5	2.5	
SAE standard	I	SAE B 13T-16/32DP								SAE C 14T-12/24DP							
		J	1.61	1.61	1.61	1.61	1.61	1.61	1.61	1.61	2.20	2.20	2.20	2.20	2.20	2.20	
		K	4.0	4.0	4.0	4.0	4.0	4.0	4.0	4.0	5.0	5.0	5.0	5.0	5.0	5.0	
		L	3.54	3.54	3.54	3.54	3.54	3.54	3.54	3.54	4.51	4.51	4.51	4.51	4.51	4.51	
		ISO-G P	34	34	34	34	34	34	34	34	34	34	34	34	34	1	1
		ISO-G Q	12	12	12	12	12	12	12	12	12	12	12	12	12	12	12
		Tare-weight torque (M)	lb-ft	5.1	5.1	5.5	5.5	9.6	9.6	9.6	9.6	9.6	9.6	9.6	9.6	15.5	15.5
Direction of rotation	Left (L) or Right (R)																

Flange bolt holes dia 0.56 in





WARNING

When the pump is running:

1. Do not touch the pressure hose
2. Watch out for rotating parts
3. The pump and hoses may be hot

*Sunfab reserves the right to make changes in design and dimensions without notice. Printing and typesetting errors reserved.
© Copyright 2015 Sunfab Hydraulics AB. All Rights Reserved.*