

**SCPD 76/76 DIN is a dual flow pump with two separate flows of equal sizes.**

SCPD 76/76 DIN gives a maximum flow of 6865 + 6865 = 13730 cu in/min and supports a maximum working pressure of 5076 psi. It can effectively be directly mounted on gear boxes equipped with engageable and disengageable power take-offs.

SCPD 76/76 is a modern, compact pump, which meets the market's high demands on flow performance, pressure, efficiency and small installation dimensions.

It is speed optimized and therefore supplied for either left (L) or right (R) rotation direction.

**Other advantages:**

- Large displacement gives the possibility of low motor speeds and low noise levels.
- Long life due to high demands on material selection, such as bearings, seals, etc.
- O-rings on all contact surfaces as well as double shaft seals eliminate oil leakage from the pump and power takeoff.
- The market's highest displacement in relation to size.

## Versions, main data

Example

SC	PD	-	76/76	L	-	N	-	DL4	-	L35	-	S0	S	-	2	00
Line	1		2	3		4		5		6		7	8		9	10

Line		Sunfab Compact
SC		

1. Type		Dual flow pump
PD		

2. Displacement		76/76

3. Direction of rotation		Left
L		
R		Right

4. Sealing		Nitrile
N		

5. Mounting flange		DIN 4-h (ISO 7653-D)
DL4		

6. Shaft		DIN 5462/ISO 14
L35		

7. Connection cover		Sunfab standard
S0		

8. Connections		Sunfab standard
S		

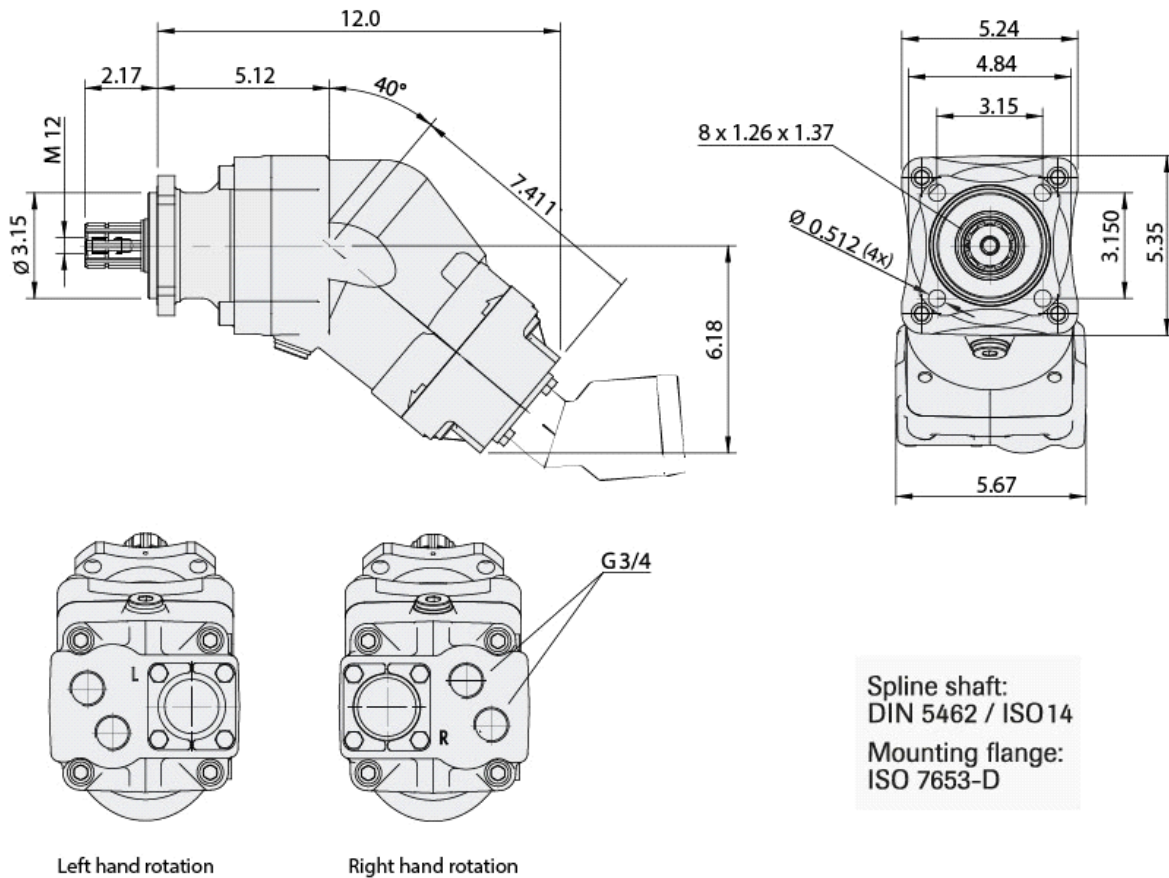
9. Additional		Optimized
2		

10. Accessories		No accessories available
00		

**SCPD 76/76 DIN**

Theoretical oil flow at pump speed	rpm	1000* 1500	cu in/min 4577 + 4577 = 9154 6865 + 6865 = 13730		
Displacement	in <sup>3</sup> /rev	4.58+4.58			
Max pump speed continuous	rpm	1500			
Max pump speed limited		1700			
Max working pressure	psi	5076			
Weight	lb	51.1			
Tare-weight torque	lb-ft	25.4			
Theoretical power at pressure and pump speed	rpm	1000*	2901 psi	3526 psi	5076 psi
		1500	33.5 + 33.5 = 67.0 hp 50.3 + 50.3 = 101 hp	42.0 + 42.0 = 83.9 hp 62.9 + 62.9 = 126 hp	58.7 + 58.7 = 117 hp 88.0 + 88.0 = 176 hp
Nominal torque on pump shaft at different pressures			2901 psi	3526 psi	5076 psi
			176 + 176 = 353 lb-ft	220 + 220 = 440 lb-ft	308 + 308 = 617 lb-ft
Direction of rotation	Left (L) or Right (R)				

\*We recommend a minimum pump speed of 1000 rpm to obtain optimal performance, efficiency and life-span of the pump.



Spline shaft:  
DIN 5462 / ISO 14  
Mounting flange:  
ISO 7653-D



**WARNING**

When the pump is running:

1. Do not touch the pressure hose
2. Watch out for rotating parts
3. The pump and hoses may be hot

*Sunfab reserves the right to make changes in design and dimensions without notice. Printing and typesetting errors reserved.  
© Copyright 2015 Sunfab Hydraulics AB. All Rights Reserved.*